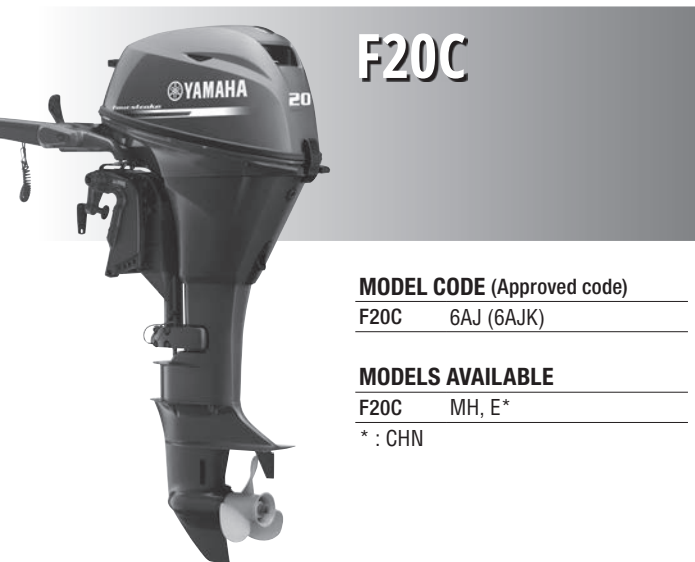


Commercial model



F20C

MODEL CODE (Approved code)

F20C	6AJ (6AJK)
------	------------

MODELS AVAILABLE

F20C	MH, E*
------	--------

* : CHN

F20CMHL

Dimension

Overall length	MH: 1048 mm (41.3 in), E: 663 mm (26.1 in)
Overall width	MH: 386 mm (15.2 in), E: 373 mm (14.7 in)
Overall height	S: 1078 mm (42.4 in), L: 1205 mm (47.4 in)
Engine transom height	S: 438 mm (17.2 in), L: 565 mm (22.2 in)
Minimum distance	–
Steering angle	45 deg. each direction
Dry weight	51 – 54 kg

Performance	F20C
Max. prop shaft output	14.7 kW (20 ps)
Full throttle operating range	5000 – 6000 r/min
Idling speed	1000 – 1100 r/min
Fuel consumption	(*6.9 L/h @5500 r/min)
*: reference data	

Engine

Engine type	SOHC, In-line 2
Displacement	362 cm ³
Bore × stroke	63.0 × 58.1 mm
Compression ratio	9.3 :1
Fuel induction system	1 carburetor
Lubrication system	Wet sump
Engine oil capacity	1.8 L / 1.6 L (with / without oil fi lter replacement)
Ignition system	CDI
Ignition timing	TDC – BTDC 30.0 deg.
Spark plug	DPR6EB-9
Alternator	10 A (Except MH)
Cooling system	Raw-water, thermostatically controlled
Exhaust system	Through propeller boss

Bracket / Drive

Trim	4 positions
Shallow water drive	Manual: 2 positions
Gear shift	F-N-R
Gear ratio	2.08 (27/13)
Gear oil capacity	0.250 L
Propeller fitting	Spline
Propeller rotation	Clockwise
Shaft length	MH: S, L / E: L

Model Category Commercial use

Feature Table		F20C
Environment	Blow-by gas burning system	•
	Start in gear protection	•
Security	Over rev. limiter	•
	Overheat warning	•
	Low oil press. warning	•
Corrosion prevention	Chrome plated water pump housing	•
	Stainless steel water tube	•
	Freshwater flushing device	•
Power unit	Primestart	•
	Carburetor	•
	Gasoline	Regular
Convenience	Auto decompression	•
	Tilt lock lever	•

Optional Accessory	F20C
Rectifier-regulator	• (MH)
Steering guide attachment	• (E)
Steering friction	• (MH)

Rigging Accessory		F20C
Gauge	6Y7	• (E)
Remote control	703	• (E)
Propeller	J Series	J1

Consumes		F20C
Yamalube gear oil	GL4	•